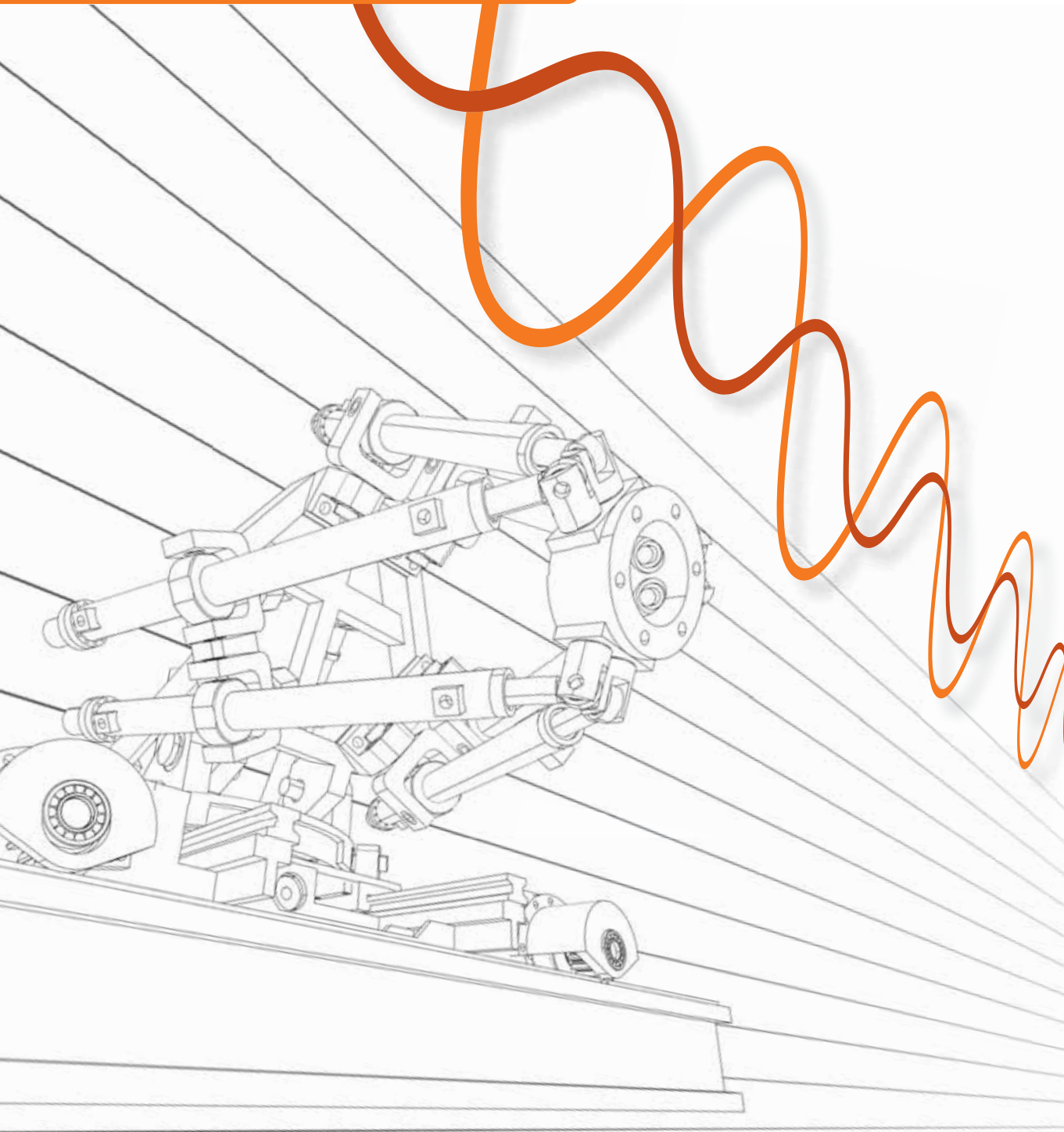


First announcement and call for papers

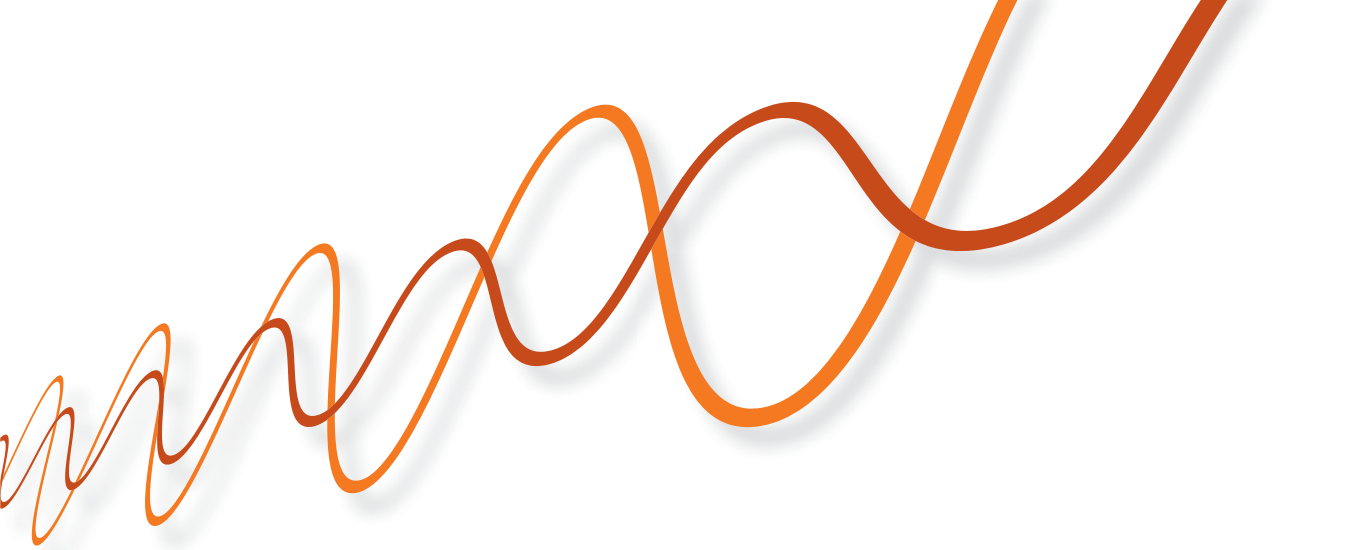


The 1st : Joint International Conference on IMSD
: Multibody System Dynamics

Lappeenranta, Finland,
May 25 - 27, 2010

For more information
www.imsd10.fi





Venue

The Conference will take place at Lappeenranta University of Technology, located in South-East Finland, close to the Russian border, 220 km from Helsinki. Within easy distance of Helsinki, Lappeenranta welcomes travelers arriving by air, bus, train or car. Lappeenranta is located by Lake Saimaa, the largest water system in Finland. At the end of May, Lappeenranta shows its best side, with long light-filled days and pleasant weather.



Call for Papers

Authors are invited to submit one page abstracts, clearly stating the objectives, results and conclusions of the work to be discussed in the presentation. All abstracts will be reviewed and, if accepted, authors will be invited to submit full papers, which will be included in conference proceedings.

Accompanying Guest Program

The program for accompanying guests includes visits to Savonlinna and St. Petersburg, Russia. More information on the program is available at the conference web site.

Important Dates

One page abstract submission deadline

November 30, 2009

Notification of acceptance/rejection

January 15, 2010

Final paper submission deadline

March 31, 2010

The 1st Joint International Conference on Multibody System Dynamics

IMSD

The First Joint International Conference on Multibody System Dynamics, IMSD, will be held in Lappeenranta, Finland, 25-27 May 2010.

Further information can be found on the web page www.imsd10.fi

Objectives

Multibody dynamics is an engineering discipline that is based on computational dynamics. It has grown to be an important tool for virtual prototyping, machine design and computer aided analysis of complex articulated mechanical systems. Multibody dynamics comprises a number of aspects, including mechanics, structural dynamics, applied mathematics, control methods and computer science, as well as mechatronics.

The purpose of the Conference is to serve as a meeting point for the international multibody community. The conference provides an opportunity to exchange high-level, recent information on the theory and applications of multibody systems.

The topics of the Conference include, but are not restricted to:

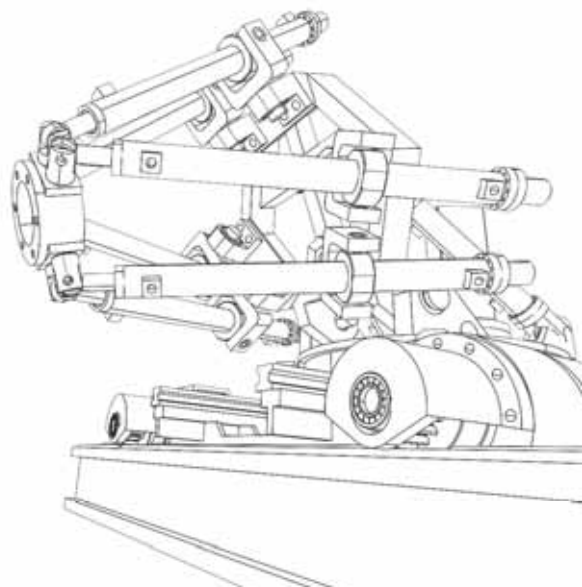
- Theoretical and computational methods
- Flexible multibody systems
- Contact and impact problems
- Control and mechatronics
- Multidisciplinary approaches
- Algorithms, integration codes and software
- Efficient methods and real-time simulations
- Experiments and numerical verifications
- Optimization and sensitivity analysis
- Dynamics of machines and rotating structures
- Dynamics of all vehicles
- Robotic systems
- Biomechanics
- Education in multibody dynamics

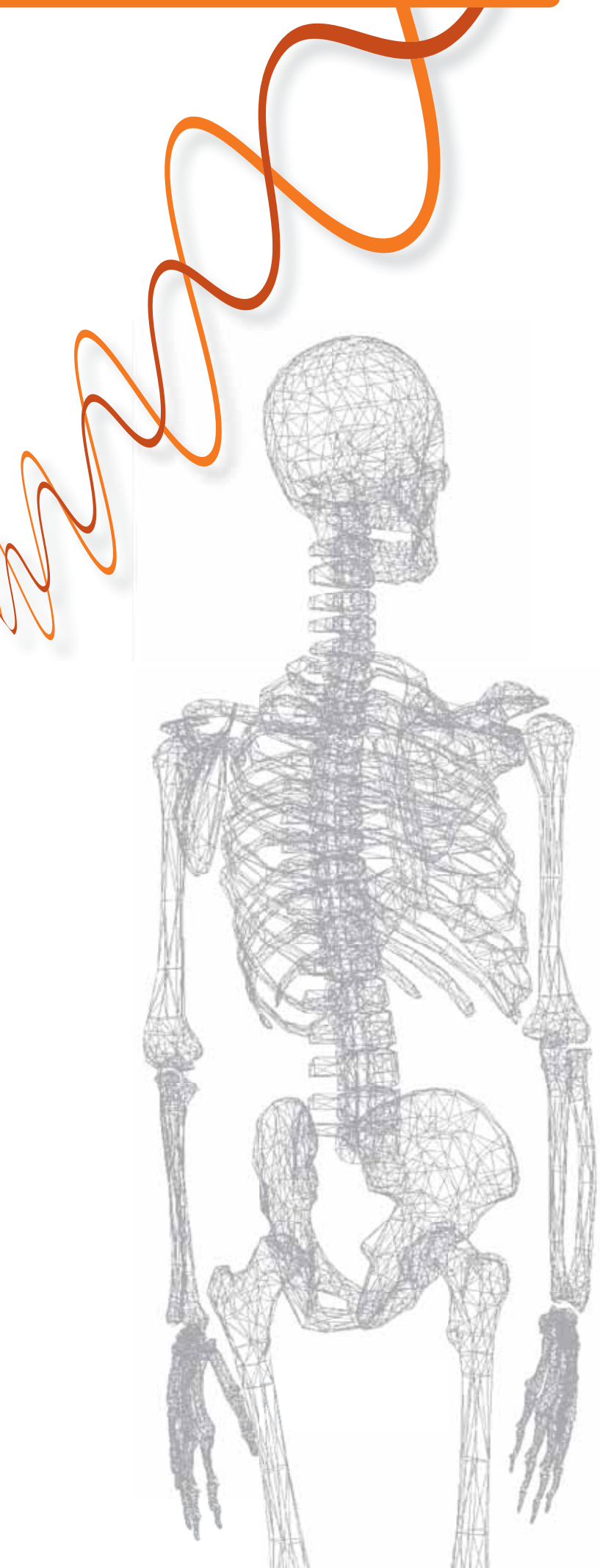
Steering Committee

The Joint International Conference on Multibody System Dynamics is supervised by an International Steering Committee.

The members of the Committee are:

Jorge Ambrosio	(Portugal)
Kurt Anderson	(USA, ASME)
Krzysztof Arczewski	(Poland)
Olivier Bauchau	(USA, ASME)
Carlo Bottasso	(Italy)
Javier Cuadrado	(Spain, IFToMM)
Peter Eberhard	(Germany)
Caishan Liu	(China)
John Mc Phee	(Canada, IFToMM)
Aki Mikkola	(Finland, Co-Chair)
Friedrich Pfeiffer	(Germany, IUTAM)
Werner Schiehlen	(Germany, Co-Chair, IFToMM)
Ahmed Shabana	(USA, ASME)
Nobuyuki Shimizu	(Japan)
Wan-Suk Yoo	(Korea)





Secretariat

Riitta Heiskanen
Lappeenranta University of Technology
Centre for Training and Development
P. O. Box 20
53851 Lappeenranta
FINLAND
Tel. +358 5621 7114
Fax +358 5621 7199
e-mail riitta.heiskanen@lut.fi

Scientific Program Information

Professor Aki Mikkola
Lappeenranta University of Technology
Tel. +358 5621 2447
Fax +358 5621 2499
e-mail aki.mikkola@lut.fi

Professor Werner Schiehlen
University of Stuttgart
e-mail schiehlen@itm.uni-stuttgart.de

Travel & Accommodation

More information available
on conference website.

www.imsd10.fi

Co-Sponsors

